

Remote Control Dimmer Switch

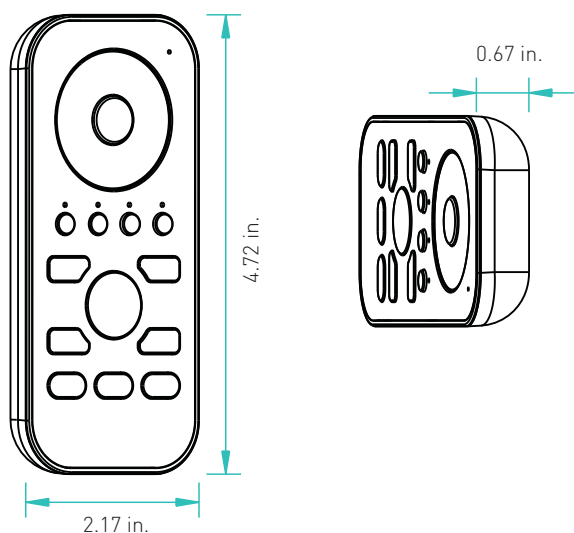
AL-60-03-0001



This Wireless Remote Control and Wireless Receiver (AL-60-03-0004 – sold separately) work together to provide mode, color, brightness, and zone control for both Radialux® RGB and RGB-W tape lights. The controller can operate up to four independent zones, so you can have different color-changing effects in different rooms or parts of a space. The remote can save up to three custom colors or modes. A touch wheel allows for direct visual selection of colors.

- Operation Voltage: 4.5V DC
- Zones: 4
- Signal: WiFi / RF
- Location: Dry (IP20)
- Compatible Receiver: Wireless Receiver (AL-60-03-0004)

Dimensions



Keypad Layout



Operation

Brightness Wheel

Choose a **Zone** number(s), for example 1 and 3, then touch the Brightness wheel to choose the desired brightness.

Brightness Up & Down Button

Short or long press the **Brightness** buttons to increase or decrease the brightness. The dimming direction will change each time the switch is pressed. For example, the first long press increases the brightness, and the next long press dims down.

Brightness Button

Select a **Zone** (1, 2, 3, or 4). Press the 25%, 50%, 75% or 100% Brightness button for the corresponding brightness amount.

Save/Recall Button

1. Save brightness level: select a **Zone** (1, 2, 3, or 4), then adjust the brightness. Long press a Save button (1, 2, 3, or 4) for 2-3 seconds. The LED lights will flash to indicate the level has been successfully saved.
2. To recall: select the zone to recall by pressing a **Zone** button (1, 2, 3, or 4), then short press one of the **Save** buttons (S1, S2, S3).

Setup

How to Pair the Wireless Receiver (AL-60-03-0004) and Remote Control

1. Connect the components according to the diagram on the other side of this sheet.
2. Wake up the remote control by touching the ON/OFF button. The red power indicator will light up.
3. Short press the "Learning Key" button on the receiver.
4. Touch any of the 4 zone buttons on the remote control. If only setting up one zone, simply press the "1" button.
5. Then touch the color wheel.
6. The connected LED lights will blink to confirm the zone designation.

How to Unpair the Wireless Receiver and Remote Control

1. Hold down the "Learning Key" button on the receiver for about 5 seconds. When the LED lights flash, the remote has been unpaired.

Multiple Zones and Multiple Remote Controls

Note: Only one master controller can be assigned to each zone. After a period of time, the master will do a synchronization operation to keep the same color or mode of all receivers in one zone.

1. To Set Up Multiple Zones: Each remote controller can control up to 4 zones via the Wireless Receivers, and multiple Wireless Receivers can be set to a single zone. To set up multiple zones, repeat the steps above in "How to Pair", assigning each zone its own number from 1-4.
2. To Set Up Multiple Remotes to Control the Same Wireless Receiver: Each Wireless Receiver can be controlled by a maximum of 8 different remote controllers. To set up, repeat the steps above in "How to Pair" for each remote.

Wiring Diagram

